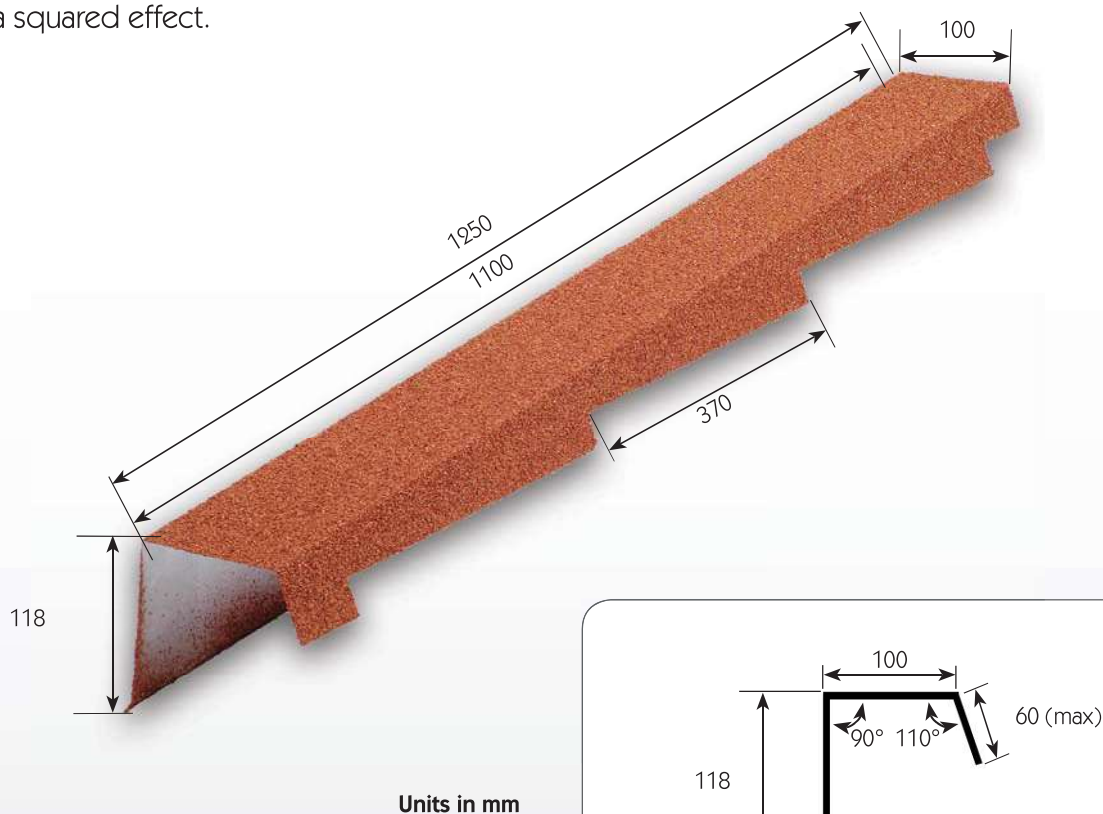
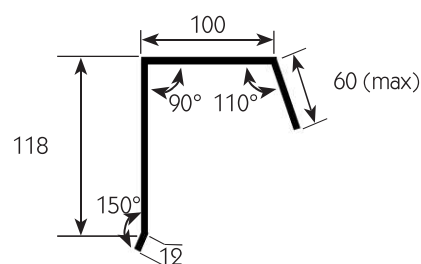


Barge Board Cover left BBCL

Accessory for sealing the sides of the roof with a squared effect.



Units in mm



Design

The barge board cover is designed to give your roof a squared 'finishing' effect.

This accessory is compatible with all of the roofing panels except the Shingle.

It is pressed from ALUZINC 185 metal and available a wide range of colour in granules, satin, brilliance finish to comply with the rest of the roofing materials.

Application

A barge board cover is for sealing the tiles at the side of the roof.

Related products

Verge End Cap
VECL



Specifications

Length*	1250 mm
Usefull length*	1110 mm
Width*	100 mm
Weight*	1,61 kg
Colours	See colour charts

* The measurements and the weight may vary slightly by the finish that is added to the accessory.

Packing

Pieces per pallet	360
Pieces per row in a pallet	90
Number of rows in a pallet	4
Pallet dimensions	1400 x 1100 mm
In boxes?	possible // 10 pieces/box