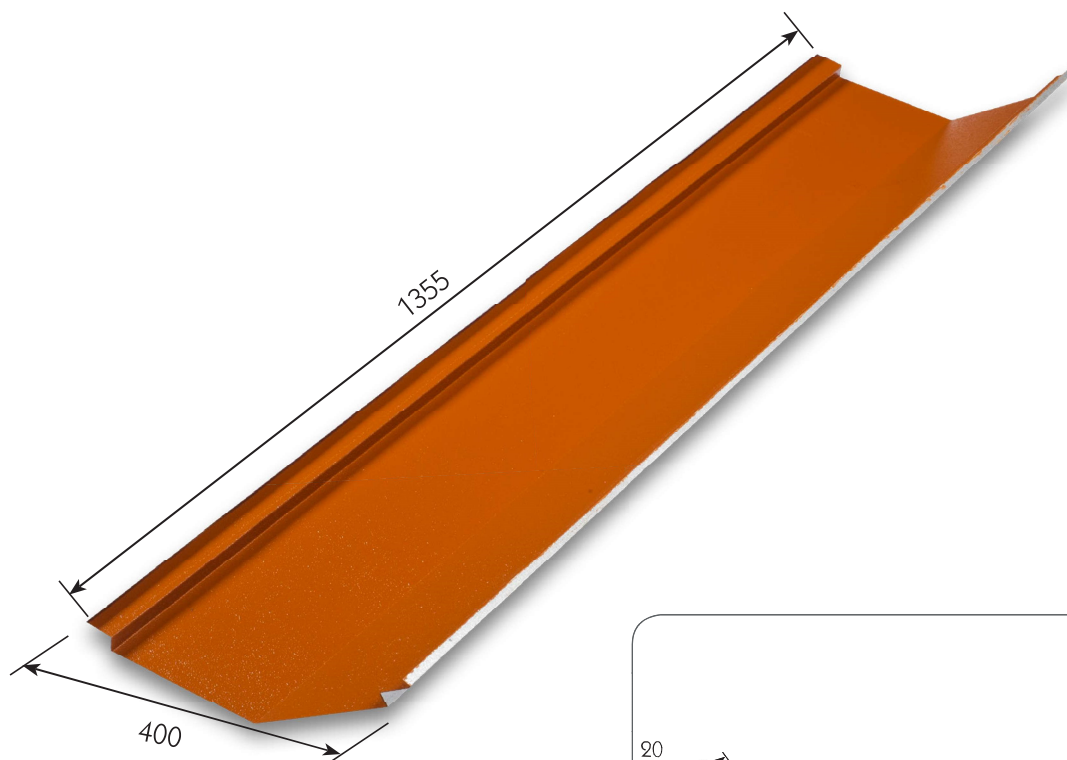
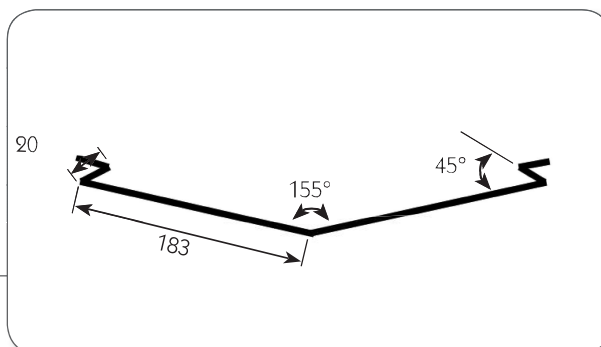


Valley Scandinavia VA.SC



Units in mm



Design

A roof valley plaga is designed area where two adjacent roof sections meet, usually at a 90-degree angle. Water runoff funnels into this valley from both roof sections.

This accessory is compatible with all of the roofing panels.

The valley is pressed from Zinc-Aluminium 185 or equivalent metal and available in painted (no granules) colours.

Specifications

| | |
|---------|-------------------|
| Length* | 1355 mm |
| Width* | 400 mm |
| Weight* | 2,30 kg |
| Colours | See colour charts |

* The measurements and the weight may vary slightly by the finish that is added to the accessory.

Packing

| | |
|-------------------------------|---------------------------|
| Pieces per pallet | 150 |
| Pieces per column in a pallet | 50 |
| Number of columns in a pallet | 2 |
| Pallet dimensions | 1400 x 1100 mm |
| In boxes? | possible // 10 pieces/box |